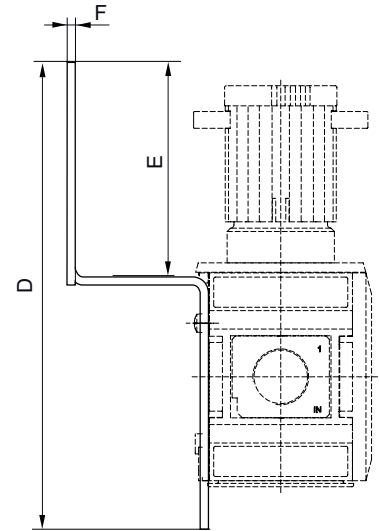
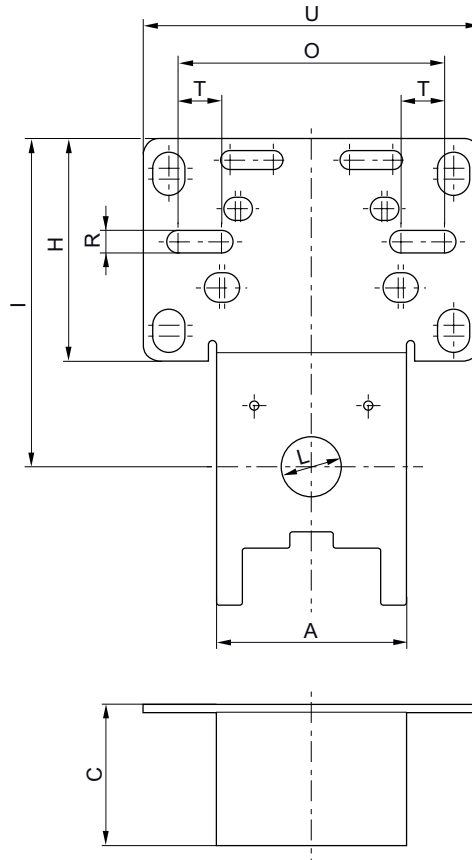


**Series AS5**  
Accessories

**Mounting plate, Series AS5-MBR-...-W01**



00119815



00127636

Part No.	A	C	D	E	F	H	I	L	O	R	T	U
<b>R412009368</b>	70	52	172	79	3	82	121	22	98	7	16	124

Part No.	Material	Surface	Weight [kg]									
<b>R412009368</b>	Steel	galvanized	0.394									

Scope of delivery incl. 2 mounting screws 3x10 (Torx 10 IP) DIN EN ISO 10664